

SIZE	QTY OF BLOWERS	ECM MOTOR			
		HP	TOTAL AMPS		
			115V	208V/240V	277V
06	1	1/3	3.7	2.0	1.9
08	1	1/3	5.0	2.8	2.6
10	1	1/2	5.4	3.0	2.9
12	1	1/2	6.6	3.7	3.5
16	2	1/3 X 2	10.0	5.6	5.2
18	1	3/4	9.6	6.8	5.5
20	2	1/2 X 2	10.3	5.8	5.5
26	2	3/4 X 2	13.6	9.6	7.8

SIZE	NOMINAL AIRFLOW		A in. (mm)	B in. (mm)	D in. (mm)	E in. (mm)	F in. (mm)	G in. (mm)	H in. (mm)	J in. (mm)
	CFM	L/s								
06	600	283	16" (406)	29 1/2" (750)	17 1/8" (435)	14 1/4" (362)	17" (432)	12 1/2" (318)	16" (406)	15 5/8" (397)
08	800	378	20" (508)	33 1/2" (851)	17 1/8" (435)	14 1/4" (362)	17" (432)	12 1/2" (318)	20" (508)	15 5/8" (397)
10	1000	472	24" (610)	37 1/2" (953)	17 1/8" (435)	14 1/4" (362)	17" (432)	12 1/2" (318)	24" (610)	16" (407)
12	1200	566	32" (813)	45 1/2" (1156)	17 1/8" (435)	14 1/4" (362)	17" (432)	12 1/2" (318)	16" (406)	16" (407)
16	1600	755	40" (1016)	53 1/2" (1359)	17 1/8" (435)	14 1/4" (362)	17" (432)	12 1/2" (318)	20" (508)	15 5/8" (397)
18	1800	850	32" (813)	45 1/2" (1156)	21 3/8" (543)	18 1/2" (470)	22" (559)	17 1/2" (445)	20" (508)	17 3/8" (441)
20	2000	944	48" (1219)	61 1/2" (1562)	17 1/8" (435)	14 1/4" (362)	17" (432)	12 1/2" (318)	24" (610)	16" (407)
26	2600	1227	48" (1219)	61 1/2" (1562)	21 3/8" (543)	18 1/2" (470)	22" (559)	17 1/2" (445)	24" (610)	17 3/8" (441)

WATER COIL CONFIGURATION	C in. (mm)
COOLING ONLY OR HEATING ONLY	33 5/8" (855)
REHEAT OR PREHEAT	38 5/8" (981)

- NOTE:
1. ACTUAL NAMEPLATE AMPS MAY VARY BUT WILL NOT EXCEED VALUES SHOWN.
 2. LH WATER COIL AND LH CONTROLS SHOWN.
 3. HANDING DETERMINED BY LOOKING AT INLET.
 4. OPPOSITE HAND WATER COIL AND CONTROLS AVAILABLE.
 5. PROVIDE SUFFICIENT ELECTRICAL CLEARANCE TO COMPLY WITH APPLICABLE CODES.

ALL METRIC DIMENSIONS [] ARE SOFT CONVERTED. IMPERIAL DIMENSIONS ARE CONVERTED TO METRIC AND ROUNDED TO THE NEAREST MILLIMETER.

PROJECT:		PRICE	APPROVED BY: <i>TW</i>	FAN COIL FHP-1-1 FAN COIL HORIZONTAL HIGH PERFORMANCE PLENUM REAR RETURN
ENGINEER:			DRAWING NO: 276188	
CUSTOMER:		DATE DRAWN: 2024-02-05		
SUBMITTAL DATE:	SPEC. SYMBOL:			

STANDARD CONSTRUCTION:

- 18 GAUGE GALVANIZED STEEL CASING
- GALVANIZED HARDWARE
- 1 1/2" DISCHARGE AND INLET DUCT CONNECTIONS
- INTEGRATED HANGER BRACKETS FOR SUSPENSION
- ELECTRONICALLY COMMUTATED MOTOR (ECM)
- 2" MERV 8 PLEATED FILTER WITH SIDE AND BOTTOM FILTER ACCESS
- INTERNAL INSULATION - FIBERGLASS 1/2" (13mm) THICK
- LINE VOLTAGE TO 24V TRANSFORMER

WATER COILS:

- WATER COIL EQUIPPED WITH GALVANIZED STEEL DRAIN PAN EXTERNALLY INSULATED WITH FIBER FREE FOAM
- 3/4" NPT DRAIN CONNECTION
- COILS - 1/2" O.D. COPPER TUBES, ALUMINUM SINE WAVE FINNS, 7/8" OD CONNECTIONS
- 3, 4, 6, OR 8 ROWS OF COIL (HEATING OR COOLING), UP TO 10 ROWS TOTAL (REHEAT/PREHEAT CONFIGURATION)

UNIT OPTIONS

ELECTRICAL:

- 24V TRANSFORMER
- DISCONNECT SWITCH
- MOTOR FUSING
- CONTROL CIRCUIT FUSING

ACCESSORIES:

- STAINLESS STEEL DRAIN PAN
- SECONDARY DRAIN
- AUXILIARY DRAIN PAN
- OVERFLOW SAFETY SWITCH
- 2" MERV 13 PLEATED FILTER

MODULATING PROGRAM (ECM ONLY)

- FACTORY MOUNTED VALVE PACKAGE
- FIBER FREE FOAM LINER, 1/2" (13mm)
- OUTSIDE AIR CONNECTION (6", 8", 10" INLET DUCT SIZE)

VALVE PACKAGE

TCV TYPE:

- 2 WAY
- 3 WAY
(COOLING/HEATING ONLY)

CONTROL TYPE:

- ON-OFF
- FLOAT
- MODULATING NC/FC

RETURN SIDE VALVE:

- AUTOMATIC BALANCING VALVE

SOURCE SIDE VALVE:

- Y-STRAINER W/ BLOWDOWN AND PT PORTS
(MUST BE SELECTED IF 3 WAY IS SELECTED)

COIL CONFIGURATION

COOLING/HEATING ONLY:

- 3 ROW
- 4 ROW
- 6 ROW
- 8 ROW

REHEAT (C/H):

- 3/1 ROW
- 3/2 ROW
- 4/1 ROW
- 4/2 ROW
- 6/1 ROW
- 6/2 ROW
- 8/1 ROW
- 8/2 ROW

PREHEAT (H/C):

- 1/3 ROW
- 2/3 ROW
- 1/4 ROW
- 2/4 ROW
- 1/6 ROW
- 2/6 ROW
- 1/8 ROW
- 2/8 ROW



FRESH AIR INLET OPTIONS:

- 6" INLET DUCT WITH AIRFLOW SENSOR AND DAMPER
- 8" INLET DUCT WITH AIRFLOW SENSOR AND DAMPER
- 10" INLET DUCT WITH AIRFLOW SENSOR AND DAMPER
- 6" INLET DUCT WITH CONSTANT AIRFLOW REGULATOR (45-260 CFM)
- 8" INLET DUCT WITH CONSTANT AIRFLOW REGULATOR (70-385 CFM)
- 10" INLET DUCT WITH CONSTANT AIRFLOW REGULATOR (110-620 CFM)

FRESH AIR INLET HANDING:

- RH FAI
- LH FAI



ALL METRIC DIMENSIONS [] ARE SOFT CONVERTED. IMPERIAL DIMENSIONS ARE CONVERTED TO METRIC AND ROUNDED TO THE NEAREST MILLIMETER.

PROJECT:		PRICE [®]	
ENGINEER:		APPROVED BY: <i>TW</i>	FAN COIL FHP-1-1 FAN COIL HORIZONTAL HIGH PERFORMANCE PLENUM REAR RETURN
CUSTOMER:		DRAWING NO: 276188	
SUBMITTAL DATE:	SPEC. SYMBOL:	DATE DRAWN: 2024-02-05	

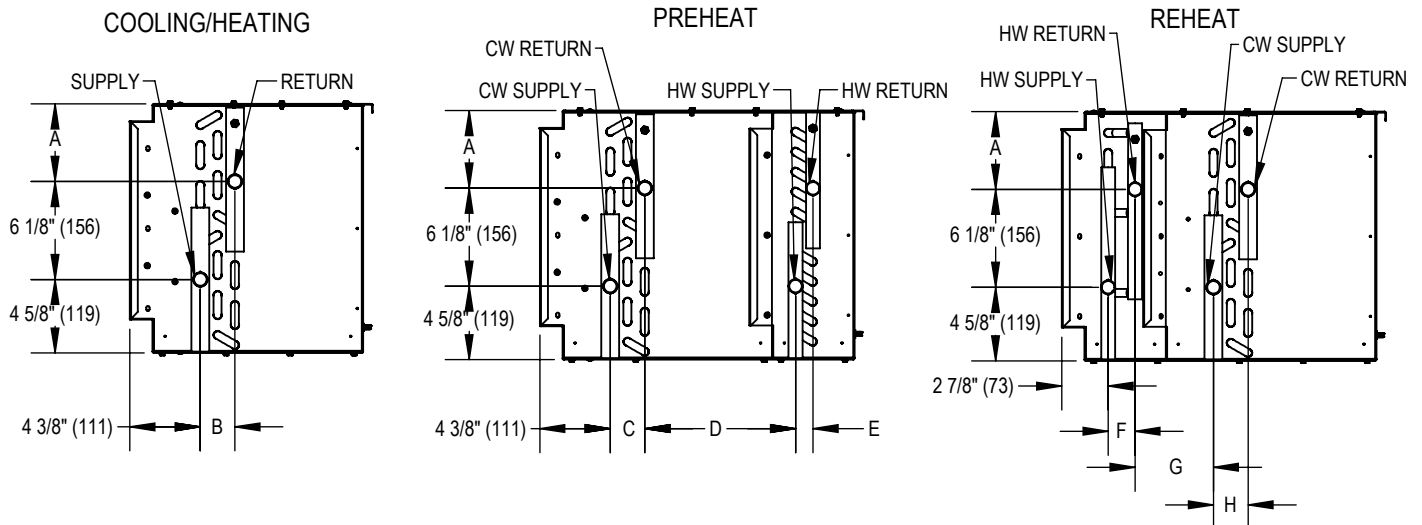
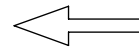
UNIT + COIL WEIGHT LBS (KG)								
ROWS OF COIL	UNIT SIZE							
	06	08	10	12	16	18	20	26
3 ROW	96 (44)	107 (49)	122 (55)	141 (64)	187 (85)	169 (77)	210 (95)	243 (110)
4 ROW	102 (46)	115 (52)	132 (60)	153 (69)	202 (92)	184 (83)	227 (103)	264 (120)
6 ROW	115 (52)	131 (59)	150 (68)	177 (80)	231 (105)	213 (97)	261 (118)	307 (139)
8 ROW	129 (59)	147 (67)	169 (77)	201 (91)	260 (118)	241 (109)	295 (134)	350 (159)
HOT WATER COIL WEIGHT LBS (KG)								
HEATING ROW	UNIT SIZE							
	06	08	10	12	16	18	20	26
1 ROW	8 (4)	10 (5)	11 (5)	15 (7)	18 (8)	17 (8)	21 (20)	26 (12)
2 ROW	16 (7)	20 (9)	23 (10)	29 (13)	36 (16)	35 (16)	42 (19)	52 (24)

NOTE: ALL COIL WEIGHTS ARE WET.

COOLING/HEATING ONLY		PREHEAT				REHEAT			
ROWS	B in. (mm)	ROWS (CW/HW)	C in. (mm)	D in. (mm)	E in. (mm)	ROWS (HW/CW)	F in. (mm)	G in. (mm)	H in. (mm)
3	2 1/8" (54)	3/1	2 1/8" (54)	9 1/2" (241)	1 5/8" (41)	1/3	1 5/8" (41)	4 7/8" (124)	2 1/8" (54)
		3/2	2 1/8" (54)	9 1/2" (241)	1 1/8" (29)	2/3	1 1/8" (29)	5 3/8" (135)	2 1/8" (54)
4	3 1/4" (83)	4/1	3 1/4" (83)	8 3/4" (213)	1 5/8" (41)	1/4	1 5/8" (41)	4 7/8" (124)	3 1/4" (83)
		4/2	3 1/4" (83)	8 3/4" (213)	1 1/8" (29)	2/4	1 1/8" (29)	5 3/8" (135)	3 1/4" (83)
6	5 1/2" (140)	6/1	5 1/2" (140)	6 1/4" (165)	1 5/8" (41)	1/6	1 5/8" (41)	4 7/8" (124)	5 1/2" (140)
		6/2	5 1/2" (140)	6 1/4" (165)	1 1/8" (29)	2/6	1 1/8" (29)	5 3/8" (135)	5 1/2" (140)
8	7 1/2" (191)	8/1	7 1/2" (191)	4 1/8" (105)	1 5/8" (41)	1/8	1 5/8" (41)	4 7/8" (124)	7 1/2" (191)
		8/2	7 1/2" (191)	4 1/8" (105)	1 1/8" (29)	2/8	1 1/8" (29)	5 3/8" (135)	7 1/2" (191)

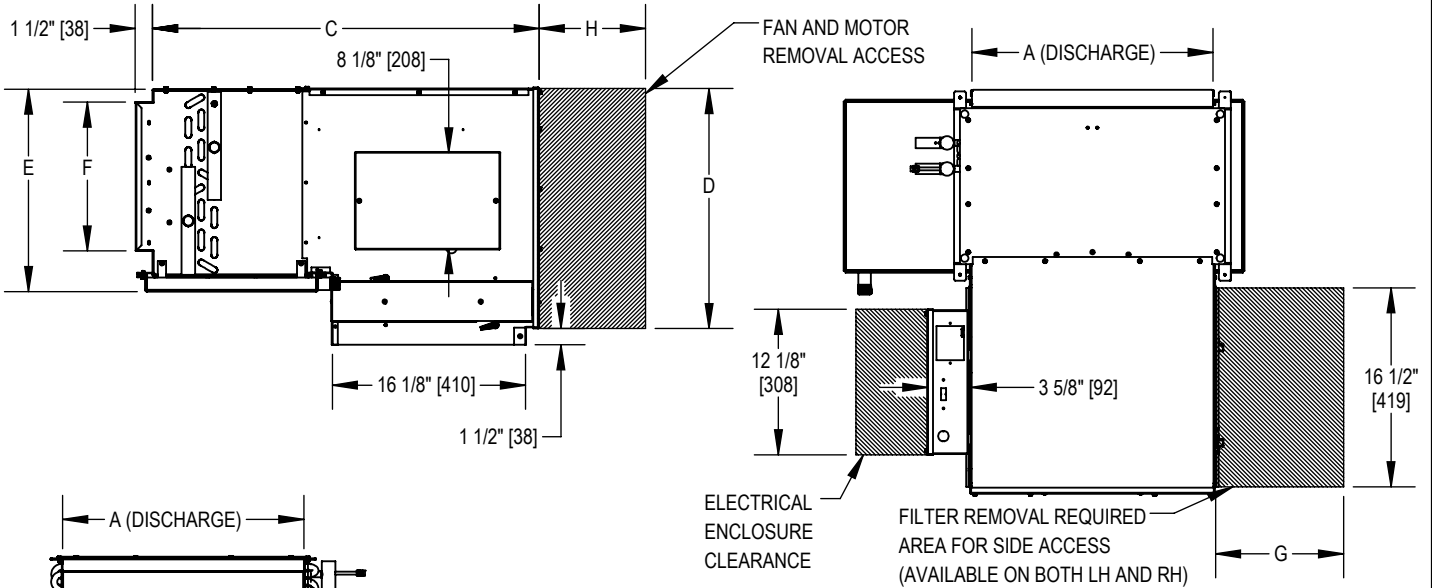
UNIT SIZE	A
06, 08, 10, 12, 16, 20	4 7/8" (124)
18, 26	9 7/8" (251)

AIRFLOW



ALL METRIC DIMENSIONS [] ARE SOFT CONVERTED. IMPERIAL DIMENSIONS ARE CONVERTED TO METRIC AND ROUNDED TO THE NEAREST MILLIMETER.

PROJECT:		PRICE
ENGINEER:		
CUSTOMER:		APPROVED BY: <i>TW</i>
SUBMITTAL DATE:		DRAWING NO: 276188
SPEC. SYMBOL:		DATE DRAWN: 2024-02-05
FAN COIL FHP-1-1 FAN COIL HORIZONTAL HIGH PERFORMANCE PLENUM REAR RETURN		



SIZE	QTY OF BLOWERS	ECM MOTOR			
		HP	TOTAL AMPS		
			115V	208V/240V	277V
06	1	1/3	3.7	2.0	1.9
08	1	1/3	5.0	2.8	2.6
10	1	1/2	5.4	3.0	2.9
12	1	1/2	6.6	3.7	3.5
16	2	1/3 X 2	10.0	5.6	5.2
18	1	3/4	9.6	6.8	5.5
20	2	1/2 X 2	10.3	5.8	5.5
26	2	3/4 X 2	13.6	9.6	7.8

NOMINAL AIRFLOW		A	B	D	E	F	G	H
CFM	L/s	in. (mm)	in. (mm)	in. (mm)	in. (mm)	in. (mm)	in. (mm)	in. (mm)
600	283	16" (406)	29 1/2" (750)	19 7/8" (505)	17" (432)	12 1/2" (318)	16" (406)	15 1/4" (388)
800	378	20" (508)	33 1/2" (851)	19 7/8" (505)	17" (432)	12 1/2" (318)	20" (508)	15 1/4" (388)
1000	472	24" (610)	37 1/2" (953)	19 7/8" (505)	17" (432)	12 1/2" (318)	24" (610)	15 1/4" (388)
1200	566	32" (813)	45 1/2" (1156)	19 7/8" (505)	17" (432)	12 1/2" (318)	16" (406)	15 1/4" (388)
1600	755	40" (1016)	53 1/2" (1359)	19 7/8" (505)	17" (432)	12 1/2" (318)	20" (508)	15 1/4" (388)
1800	850	32" (813)	45 1/2" (1156)	24 7/8" (632)	22" (559)	17 1/2" (445)	20" (508)	16 7/8" (429)
2000	944	48" (1219)	61 1/2" (1562)	19 7/8" (505)	17" (432)	12 1/2" (318)	24" (610)	15 1/4" (388)
2600	1227	48" (1219)	61 1/2" (1562)	24 7/8" (632)	22" (559)	17 1/2" (445)	24" (610)	16 7/8" (429)

WATER COIL CONFIGURATION	C in. (mm)
COOLING ONLY OR HEATING ONLY	32 1/4" (819)
REHEAT OR PREHEAT	37 1/4" (946)

- NOTE:
1. ACTUAL NAMEPLATE AMPS MAY VARY BUT WILL NOT EXCEED VALUES SHOWN.
 2. LH WATER COIL AND LH CONTROLS SHOWN.
 3. HANDING DETERMINED BY LOOKING AT INLET.
 4. OPPOSITE HAND WATER COIL AND CONTROLS AVAILABLE.
 5. PROVIDE SUFFICIENT ELECTRICAL CLEARANCE TO COMPLY W/ APPLICABLE CODES.

ALL METRIC DIMENSIONS [] ARE SOFT CONVERTED. IMPERIAL DIMENSIONS ARE CONVERTED TO METRIC AND ROUNDED TO THE NEAREST MILLIMETER.

PROJECT:		price
ENGINEER:		
CUSTOMER:		APPROVED BY: <i>TW</i>
SUBMITTAL DATE:		DRAWING NO: 276189
SPEC. SYMBOL:		DATE DRAWN: 2024-02-05
FAN COIL FHP-1-1 FAN COIL HORIZONTAL HIGH PERFORMANCE PLENUM BOTTOM RETURN		

STANDARD CONSTRUCTION:

- 18 GAUGE GALVANIZED STEEL CASING
- GALVANIZED HARDWARE
- 1 1/2" DISCHARGE AND INLET DUCT CONNECTIONS
- INTEGRATED HANGER BRACKETS FOR SUSPENSION
- ELECTRONICALLY COMMUTATED MOTOR (ECM)
- 2" MERV 8 PLEATED FILTER WITH SIDE FILTER ACCESS
- INTERNAL INSULATION - FIBERGLASS 1/2" (13mm) THICK
- LINE VOLTAGE TO 24V TRANSFORMER

WATER COILS:

- WATER COIL EQUIPPED WITH GALVANIZED STEEL DRAIN PAN EXTERNALLY INSULATED WITH FIBER FREE FOAM
- 3/4" NPT DRAIN CONNECTION
- COILS - 1/2" O.D. COPPER TUBES, ALUMINUM SINE WAVE FINNS, 7/8" OD CONNECTIONS
- 3, 4, 6, OR 8 ROWS OF COIL (HEATING OR COOLING), UP TO 10 ROWS TOTAL (REHEAT/PREHEAT CONFIGURATION)

UNIT OPTIONS

ELECTRICAL:

- 24V TRANSFORMER
- DISCONNECT SWITCH
- MOTOR FUSING
- CONTROL CIRCUIT FUSING

ACCESSORIES:

- STAINLESS STEEL DRAIN PAN
- SECONDARY DRAIN
- AUXILIARY DRAIN PAN
- OVERFLOW SAFETY SWITCH
- 2" MERV 13 PLEATED FILTER

- MODULATING PROGRAM (ECM ONLY)
- FACTORY MOUNTED VALVE PACKAGE
- FIBER FREE FOAM LINER, 1/2" (13mm)

VALVE PACKAGE

TCV TYPE:

- 2 WAY
- 3 WAY
(COOLING/HEATING ONLY)

CONTROL TYPE:

- ON-OFF
- FLOAT
- MODULATING NC/FC

RETURN SIDE VALVE:

- AUTOMATIC BALANCING VALVE

SOURCE SIDE VALVE:

- Y-STRAINER W/ BLOWDOWN AND PT PORTS
(MUST BE SELECTED IF 3 WAY IS SELECTED)

COIL CONFIGURATION

COOLING/HEATING ONLY:

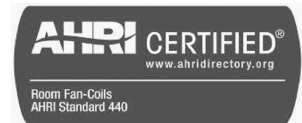
- 3 ROW
- 4 ROW
- 6 ROW
- 8 ROW

REHEAT (C/H):

- 3/1 ROW
- 3/2 ROW
- 4/1 ROW
- 4/2 ROW
- 6/1 ROW
- 6/2 ROW
- 8/1 ROW
- 8/2 ROW

PREHEAT (H/C):

- 1/3 ROW
- 2/3 ROW
- 1/4 ROW
- 2/4 ROW
- 1/6 ROW
- 2/6 ROW
- 1/8 ROW
- 2/8 ROW



ALL METRIC DIMENSIONS [] ARE SOFT CONVERTED. IMPERIAL DIMENSIONS ARE CONVERTED TO METRIC AND ROUNDED TO THE NEAREST MILLIMETER.

PROJECT:		PRICE [®]	
ENGINEER:		APPROVED BY: <i>TW</i>	FAN COIL FHP-1-1 FAN COIL HORIZONTAL HIGH PERFORMANCE PLENUM BOTTOM RETURN
CUSTOMER:		DRAWING NO: 276189	
SUBMITTAL DATE:	SPEC. SYMBOL:	DATE DRAWN: 2024-02-05	

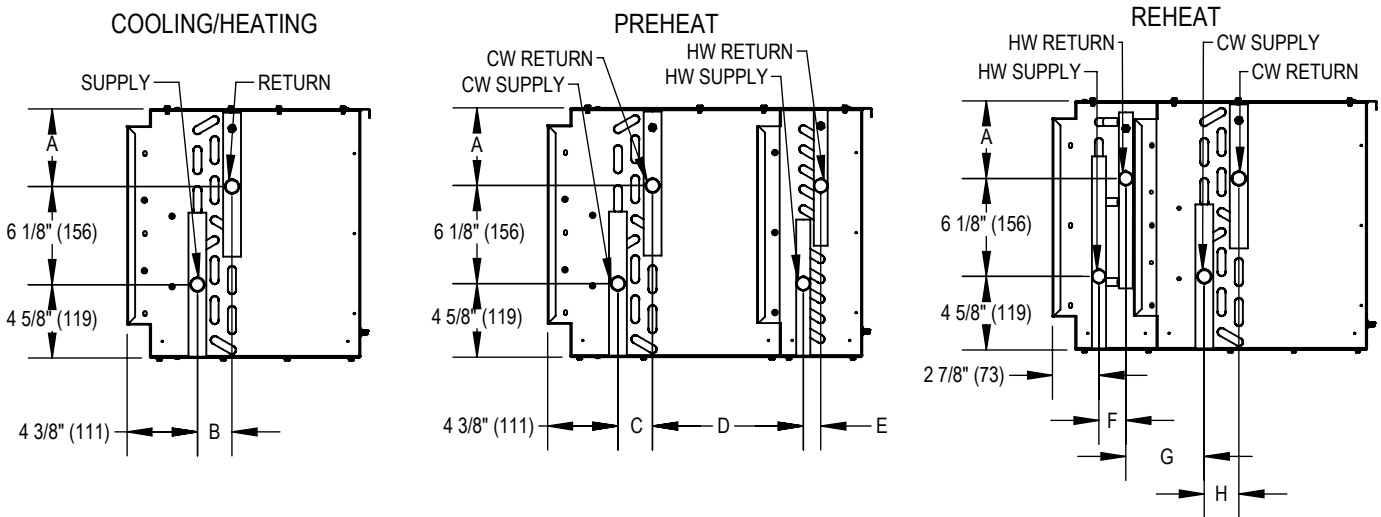
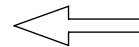
UNIT + COIL WEIGHT LBS (KG)								
ROWS OF COIL	UNIT SIZE							
	06	08	10	12	16	18	20	26
3 ROW	96 (44)	107 (49)	122 (55)	141 (64)	187 (85)	169 (77)	210 (95)	243 (110)
4 ROW	102 (46)	115 (52)	132 (60)	153 (69)	202 (92)	184 (83)	227 (103)	264 (120)
6 ROW	115 (52)	131 (59)	150 (68)	177 (80)	231 (105)	213 (97)	261 (118)	307 (139)
8 ROW	129 (59)	147 (67)	169 (77)	201 (91)	260 (118)	241 (109)	295 (134)	350 (159)
HOT WATER COIL WEIGHT LBS (KG)								
HEATING ROW	UNIT SIZE							
	06	08	10	12	16	18	20	26
1 ROW	8 (4)	10 (5)	11 (5)	15 (7)	18 (8)	17 (8)	21 (20)	26 (12)
2 ROW	16 (7)	20 (9)	23 (10)	29 (13)	36 (16)	35 (16)	42 (19)	52 (24)

NOTE: ALL COIL WEIGHTS ARE WET.

COOLING/HEATING ONLY		PREHEAT				REHEAT			
ROWS	B in. (mm)	ROWS (CW/HW)	C in. (mm)	D in. (mm)	E in. (mm)	ROWS (HW/CW)	F in. (mm)	G in. (mm)	H in. (mm)
3	2 1/8" (54)	3/1	2 1/8" (54)	9 1/2" (241)	1 5/8" (41)	1/3	1 5/8" (41)	4 7/8" (124)	2 1/8" (54)
		3/2	2 1/8" (54)	9 1/2" (241)	1 1/8" (29)	2/3	1 1/8" (29)	5 3/8" (135)	2 1/8" (54)
4	3 1/4" (83)	4/1	3 1/4" (83)	8 3/4" (213)	1 5/8" (41)	1/4	1 5/8" (41)	4 7/8" (124)	3 1/4" (83)
		4/2	3 1/4" (83)	8 3/4" (213)	1 1/8" (29)	2/4	1 1/8" (29)	5 3/8" (135)	3 1/4" (83)
6	5 1/2" (140)	6/1	5 1/2" (140)	6 1/4" (165)	1 5/8" (41)	1/6	1 5/8" (41)	4 7/8" (124)	5 1/2" (140)
		6/2	5 1/2" (140)	6 1/4" (165)	1 1/8" (29)	2/6	1 1/8" (29)	5 3/8" (135)	5 1/2" (140)
8	7 1/2" (191)	8/1	7 1/2" (191)	4 1/8" (105)	1 5/8" (41)	1/8	1 5/8" (41)	4 7/8" (124)	7 1/2" (191)
		8/2	7 1/2" (191)	4 1/8" (105)	1 1/8" (29)	2/8	1 1/8" (29)	5 3/8" (135)	7 1/2" (191)

UNIT SIZE	A
06, 08, 10, 12, 16, 20	4 7/8" (124)
18, 26	9 7/8" (251)

AIRFLOW



ALL METRIC DIMENSIONS [] ARE SOFT CONVERTED. IMPERIAL DIMENSIONS ARE CONVERTED TO METRIC AND ROUNDED TO THE NEAREST MILLIMETER.

PROJECT:		price
ENGINEER:		
CUSTOMER:		APPROVED BY: <i>TW</i>
SUBMITTAL DATE:		DRAWING NO: 276189
SPEC. SYMBOL:		DATE DRAWN: 2024-02-05
		FAN COIL FHP-1-1 FAN COIL HORIZONTAL HIGH PERFORMANCE PLENUM BOTTOM RETURN